



NEW



CEMBER

Er Go Fast Line 100



Wheel balancing and diagnostic center

In 6 seconds:

- WHEEL BALANCING
- TYRE ECCENTRICITY
- DIRECT MATCHING
- TREAD DEPTH
- TYRE SET



TOUCH

High Definition Touch Screen with Sound Tones

LAWD

Laser Automatic Wheel Dimensions

Zero weight



Automatic lift

WBA

Wheel Best Access

DCMotor

Automatically Driven Wheel Positioning





NEW

CEMB ER

Er Go Fast Line 100

Automatic wheel dimensions



Internal Laser



Radial Laser

- All wheel measurements are carried out automatically by our New Laser system (No manual operation needed).
- After the spin cycle, ER100 drives the wheel in correction positioning. No manual data entry or operation required.

Automatic brake and weight positioning with laser spot



- Wheel locking by automatic brake system.
- Led light to illuminate the working space inside the rim to easier the operator work.
- Laser spot to indicate the correct positioning where sticking the counterweight.

Pneumatic wheel locking (Cemb Patent)



- Floor to floor time reduction
- Extremely easy and quick to use
- Very accurate wheel centering guaranteed

Er Go Fast Line

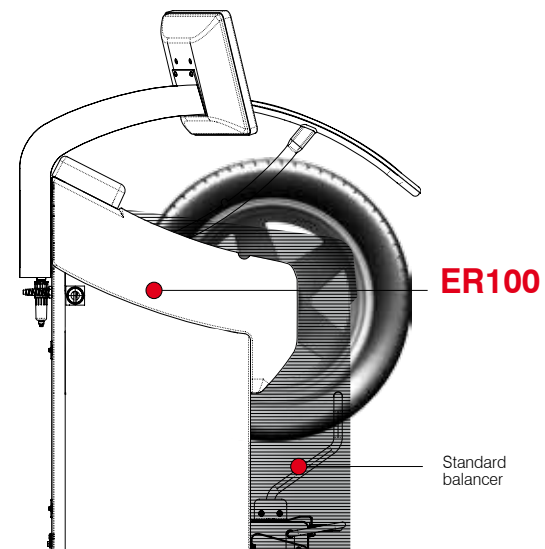
Ergonomic tool positioning



- Tools, adapters, close at hand.
Accessories are easily accessible

WBA

- Wider space to work inside the rim



Wheel Best Access



Wheel conicity - tread depth



Measurement of wheel conicity with indication of side slip



Measurement on 3 sections of the tyre

Tyre set



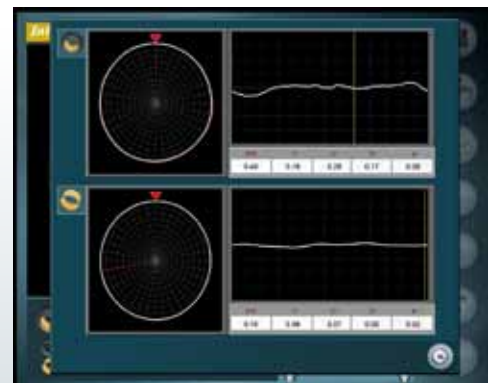
- The software indicates the best wheel positioning on the vehicle to get the best straight line stability (conicity) and to minimize wheel vibrations (eccentricity).

Direct matching



- Visualization of the best possible matching to reduce eccentricity

Tyre, rim and wheel eccentricity



- Full diagnosis on rim alone: two plane eccentricity measurement

Statistic program

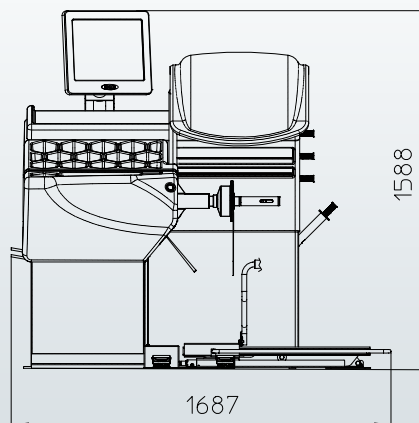
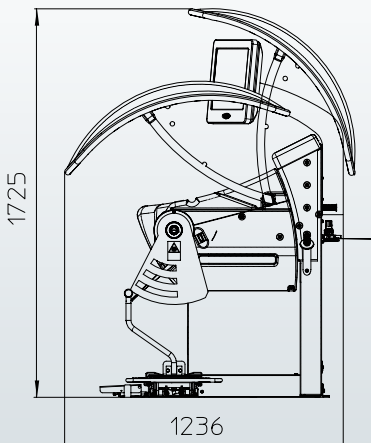


- The program counts the number of daily and total spins
- It divides the counterweight used by number, weight value and type (clip-on/adhesive)

Best Possible Correction



- It introduces a new criteria of intelligent correction, with the objective of reducing overall vibrations on the vehicle



Single phase power supply	115/230 V 50/60 Hz
Absorbed power	0,15 kW
Balancing speed	100 rpm
Measuring cycle for 15 kg (33 lb) wheel	4,7 s
Measurement uncertainty	0,5 g
Average noise	< 70 dB (A)
Rim width setting range	1,5" ÷ 20" - 40 ÷ 510 mm
Rim diameter setting range	10" ÷ 30" - 265 ÷ 765 mm
Min./Max. compressed air pressure	8 ÷ 10 kg/cm ²
	~ 0,8 ÷ 1 Mpa
	~ 8 ÷ 10 bar
	~ 115 ÷ 145 psi
Machine weight	220 kg

ZERO WEIGHT Lift to increase your profitability

ZERO WEIGHT

Zero gravity effect
Wheel loading and removal without effort or adjustment

PERFECT CENTERING

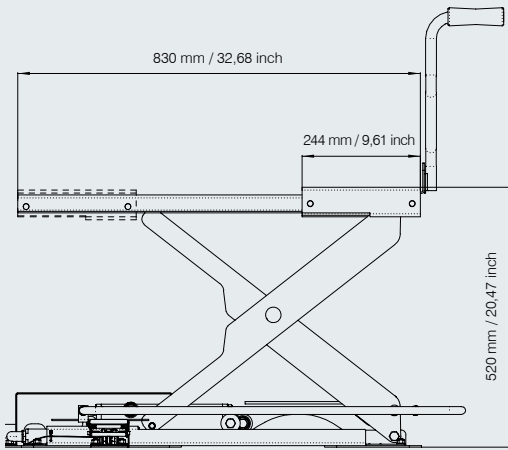
Wheel automatic lifting
Ideal centering and more accurate balancing

QUICK

Quicker than any other traditional lift
A single pedal controls the whole working cycle

AUTOMATIC

Electronic system with PLC



For more information see the complete brochure on the web site www.cemb.com



Some of our customers:

FERRARI • MASERATI • LAMBORGHINI •
MERCEDES-BENZ • BMW • VOLKSWAGEN • FIAT •
LANCIA • ALFA ROMEO • FORD NISSAN • RENAULT
• HARLEY DAVIDSON • HONDA • YAMAHA • SUZUKI
• KAWASAKI • KTM • DUCATI • TRIUMPH • APRILIA -
PIAGGIO • MOTO GUZZI • PIRELLI • BRIDGESTONE
• MICHELIN • CONTINENTAL • DUNLOP •
GOODYEAR • BREMBO • METZELER



CEMB

BALANCING MACHINES



CEMB S.p.A.

Via Risorgimento, 9
23826 Mandello del Lario (LC) Italy
www.cemb.com



Garage equipment division

CEMB - ITALY

Plant and Training Center

phone +39 0341 706369
fax +39 0341 700725
garage@cemb.com

CEMB USA

BL Systems Inc.

2873 Ramsey Road
Gainesville, GA 30501 - USA
Phone +001 678 717 1050
Fax +001 678 717 1056
sales@cemb-usa.com

Cemb technology



ITALIAN HEART: All parts which influence the quality of our balancers are manufactured within Cemb through appropriate machinery. The tolerances used are the most accurate on the market. Only in this way it is possible to maintain a constant and accurate balancing through time.

VDD - New: Defined as a "Maintenance Free" concept, it allows maximum accuracy in minimum time, increasing reliability and features of all Cemb balancers. This has been possible thanks to a new patented system of measurement (both mechanical and electronic) as a result of Cemb's unique experience in the field of industrial balancing and vibration analysis instrumentation. With the VDD even the most economic Cemb balancer wins against any of its competitors in both speed and accuracy.



CEMB FOR THE ENVIRONMENT

Our machines save much more energy than you would think! We care for the environment, as much as we care for your costs: these are our priorities. Save money! Save the environment!
Buy our machines.

Ask for more details, we are at your full disposal.



All the data and features mentioned in this catalogue are purely for information and do not constitute any commitment on the part of our company, which reserves the right to make any and all alterations it may consider suitable without notice.