

SM931



**Tiltback tyre changer
for car wheels**



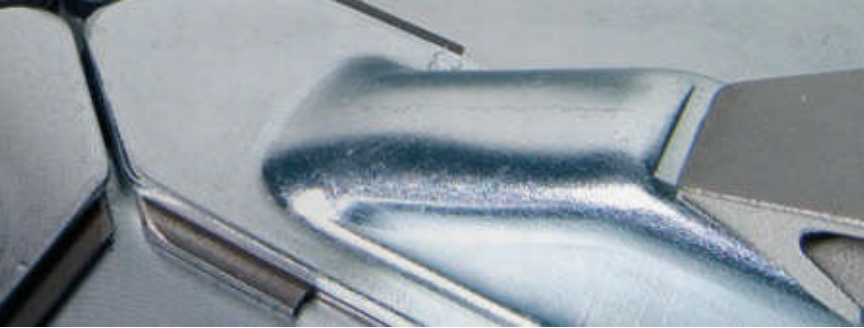
CEMB

BALANCING MACHINES



CEMB

BALANCING MACHINES



Automatic tyre changer with back tilting pole pneumatically controlled through pedal, suitable for car and light commercial vehicle wheels.

It is equipped with pneumatic locking of the operating turntable (12"-22" rim clamping from outside, 14"-24" from inside) with double speed rotation system selectable by pedal, automatic adjustment of the distance between rim and mounting head, inflating gun and extractable pedal unit for an easy servicing.



Inflating gun with manometer
Lever for bead lifting
Lubricator
Regulator
Tin for fat with holder and brush

SM931 Features

- Tilting vertical arm
- Operating arm pneumatical locking
- 22" turntable, outside clamping
- Air operated bead-breaker
- Oversize body
- Extractable pedal unit
- Motor, 230/400V-3ph-50Hz

TECHNICAL DATA

Rim clamping from outside
Rim clamping from inside
Max. wheel diameter
Max. wheel width
Bead-breaker cylinder force at 10 bar
Operating pressure
Rotating speed
Power supply
Motor power
Max. spindle torque
Intake pressure limiting device max.
Inflating pressure limiting device max.
Relief valve on inflating device
Noise level in working condition

DONNEES TECHNIQUES

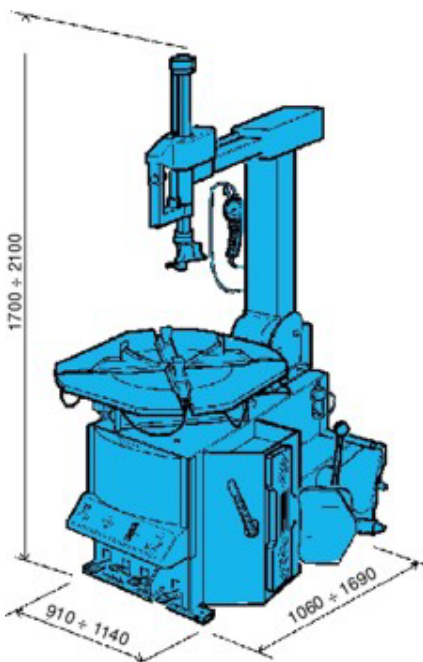
Blocage jante de l'extérieur
Blocage jante de l'intérieur
Diamètre maxi. roue
Largeur maxi. roue
Force vérin décolleur à 10 bar.
Pression de service
Vitesse de rotation
Alimentation
Puissance moteur
Couple maxi. Mandrin
Dispositif limiteur de pression en entrée maxi.
Dispositif limiteur de pression de gonflage maxi.
Soupape de sécurité sur le dispositif de gonflage
Niveau de bruit en condition de service

TECHNISCHE DATEN

Felgeneinspannung von außen
Felgeneinspannung von innen
Max. Raddurchmesser
Max. Radbreite
Kraft des Wulstabdrückzylinders bei 10 bar
Betriebsdruck
Drehgeschwindigkeit
Stromzufuhr
Motorleistung
Max. Kräftepaar an der Hauptspindel
Vorrichtung zur Druckbegrenzung am Eingang max.
Vorrichtung zur Reifenfülldruckbegrenzung max.
Sicherheitsventil an der Aufpumpvorrichtung
Geräuschpegel bei Betrieb

SM931

12" - 22"
14" - 24"
1000 mm (39")
380 mm (15")
2500 Kg
10 bar (145 psi)
7 - 14 rpm
400 V 3ph
0,8 - 1,1 kW
1200 Nm
10 bar (145 psi)
3,5 bar (50 psi)
4 bar (60 psi)
<70 dBA



CEMB

BALANCING MACHINES



CEMB S.p.A.
Via Risorgimento, 9
23826 Mandello del Lario (LC) Italy
www.cemb.com

Garage equipment division:
phone +39 0341 706369
fax +39 0341 700725
garage@cemb.com