



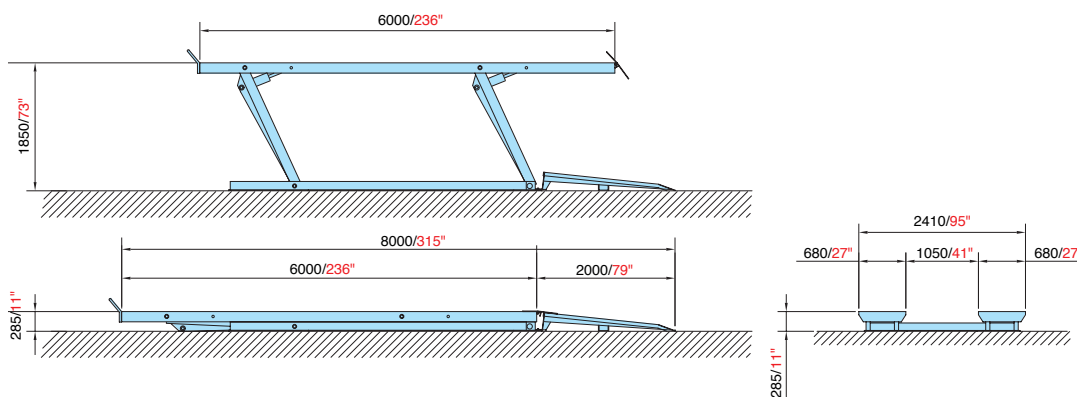
www.omerlift.com

O.ME.R. S.p.a.
Via G. Galilei, 20
30035 Mirano (VE) ITALY
Tel. +39 041 570 0303
Fax +39 041 570 0273

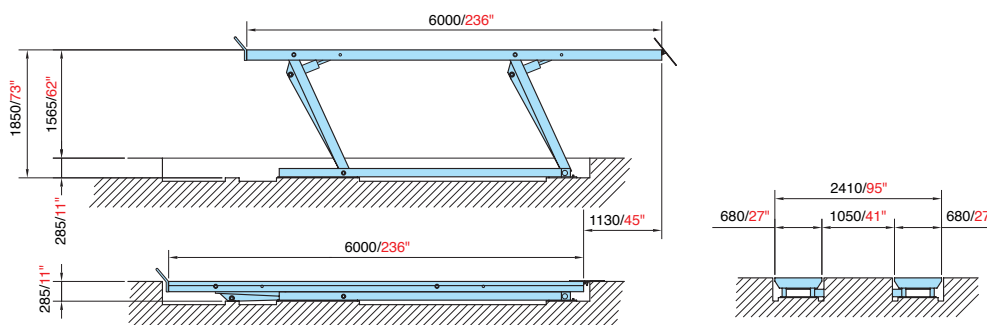
info@omerlift.com



VEGA 90 N



VEGA 90 I



MM / KG INCH / LBS	Capacità Capacity Tragkraft Capacité Capacidad	Alimentazione - Feed - Versorgung - Alimentation - Alimentación		Pressione olio Oil pressure Betriebsdruck Pression d'huile Presion aceite	Quantità olio Oil capacity Hydraulikölmenge Reservoir d'huile Cant. aceite	Peso Gross Weight Gesamtgewicht Poids Peso	Tempo di salita Lifting time Hubzeit Temps de levée Tiempo de subida
		Elettrica - Electric Elektrisch - Electrique Electrica	Pneumatica - Air operated Pneumatik - Pneumatique Neumatica				
VEGA 90 N	9000 kg 19800 lbs	380V/3/50 Hz 4 kW	5÷10 Bar	220 Bar	20 l.	3088 Kg 6790 lbs	56 s
VEGA 90 I	9000 kg 19800 lbs	380V/3/50 Hz 4 kW	5÷10 Bar	220 Bar	20 l.	2835 Kg 6240 lbs	56 s
VEGA 90 CT	9000 kg 19800 lbs	380V/3/50 Hz 4 kW	5÷10 Bar	220 Bar	20 l.	3650 Kg 8030 lbs	56 s
VEGA 90 CTI	9000 kg 19800 lbs	380V/3/50 Hz 4 kW	5÷10 Bar	220 Bar	20 l.	3390 Kg 7460 lbs	56 s